



Water Coolers

ANTIMICROBIAL VANDAL RESISTANT BARRIER-FREE VERSACOOLER® II

PV8AC

Suggested Specification

Model PV8AC shall deliver 8.0 gph of 50° F degree water at 90° F ambient and 80° F inlet water. Shall include a single vandal resistant push button to activate the flow of water. Basin shall be designed to eliminate splashing and standing water. Bubbler shall have a flexible guard, vandal resistant, and operate between 20 and 120 psi. Cabinet finish shall be brushed stainless steel. Cabinet shall have perforated galvanized steel screens to prevent objects from being inserted into the cooler. As a standard feature, the bubbler contains an antimicrobial silver additive (AlphaSan®) that inhibits the growth of bacteria, fungus, mold and mildew. Cooling system shall use R-134a refrigerant. Shall comply with ANSI A117.1 and ADA. Shall comply with ANSI A117.1 and ADA. Shall be listed by Underwriters' Laboratories to U.S. and Canadian standards. Shall comply with ANSI/NSF 61.

Model

PV8AC Delivers 8.0 gallons of chilled drinking water per hour. This model satisfies CABO/ANSI A117.1 and will comply with ADA guidelines, when properly installed.

Standard Features

- > AlphaSan® antimicrobial additive in bubbler
- > Built-in 100 micron strainer stops particles before they enter the waterway
- > Waterways Are Lead-Free In Materials & Construction
- > ANSI/NSF 61 Section 9 classified
- > Brushed Stainless Steel Finish
- > Stainless Steel Top
- > Vandal Resistant Bubbler With Flexible Guard
- > Heavy Duty Galvanized Steel Frame
- > Galvanized Steel Louver and Bottom Screen
- > High Efficiency Cooling Tank and Coil
- > Refrigerant R-134a
- > Vandal Resistant Front Push Button
- > Vandal Resistant Fasteners

Finishes

- > Standard Cabinet Finish: Brushed Stainless Steel

Installation

- > Prior to roughing consult with local, state, and federal codes for proper mounting height.
- > Shipped with complete instructions and wall mounting bracket.
- > Removable side and front panels provide easy access for installation.



ADA Compliant for both adult or child when properly installed.



Components in this fountain are lead free as defined by the Safe Drinking Water Act Amendments of 1986, and the Lead Contamination Control Act of 1988.

Limited 5-Year Warranty (Continental limits of the United States and Canada): Five years on the sealed refrigeration system and most component parts. Detailed warranty certificate enclosed with each water cooler; sample available upon request.

Export Warranty: One year on the sealed refrigeration system and most component parts. Four-year replacement contract on sealed refrigeration system. Detailed warranty certificate enclosed with each drinking fountain; sample copy available upon request.

Models covered by this specification complies with all known Plumbing Codes. Listed by Underwriters' Laboratories to U.S. and Canadian standards.

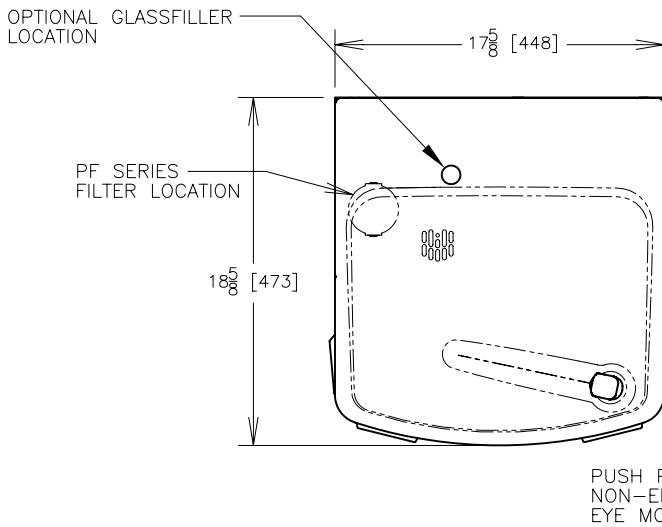


Certified to NSF/ANSI 61/ Section 9

Model	50° F Drinking Water 90° F Ambient Air Temp*			Hot'N Cold™ Model	115 Volts, 60 HZ			Glass Filler Acc. Option	Cabinet Color Finish	Net Wt. Approx.
	Rated Capacity GPH	Base Rate GPH	Pre-Cooler		Compr. HP	Full Load Amps	Rated Watts			
PV8AC	8.0	8.0	NO	No	1/4	4.6	460	No	No	56 Lbs.

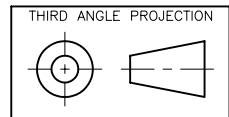
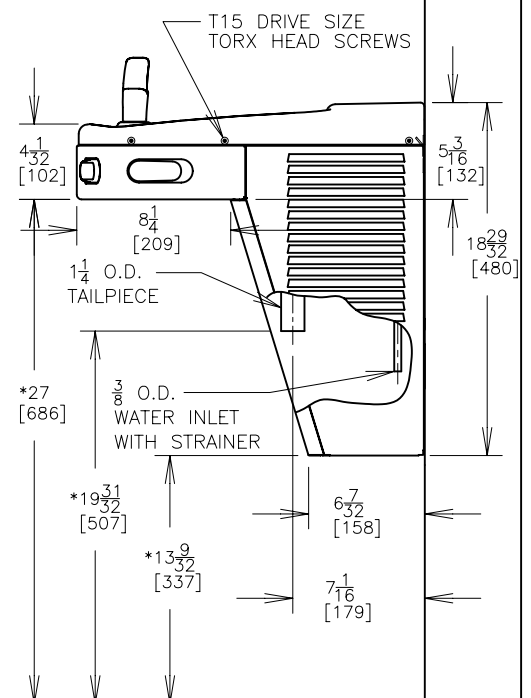
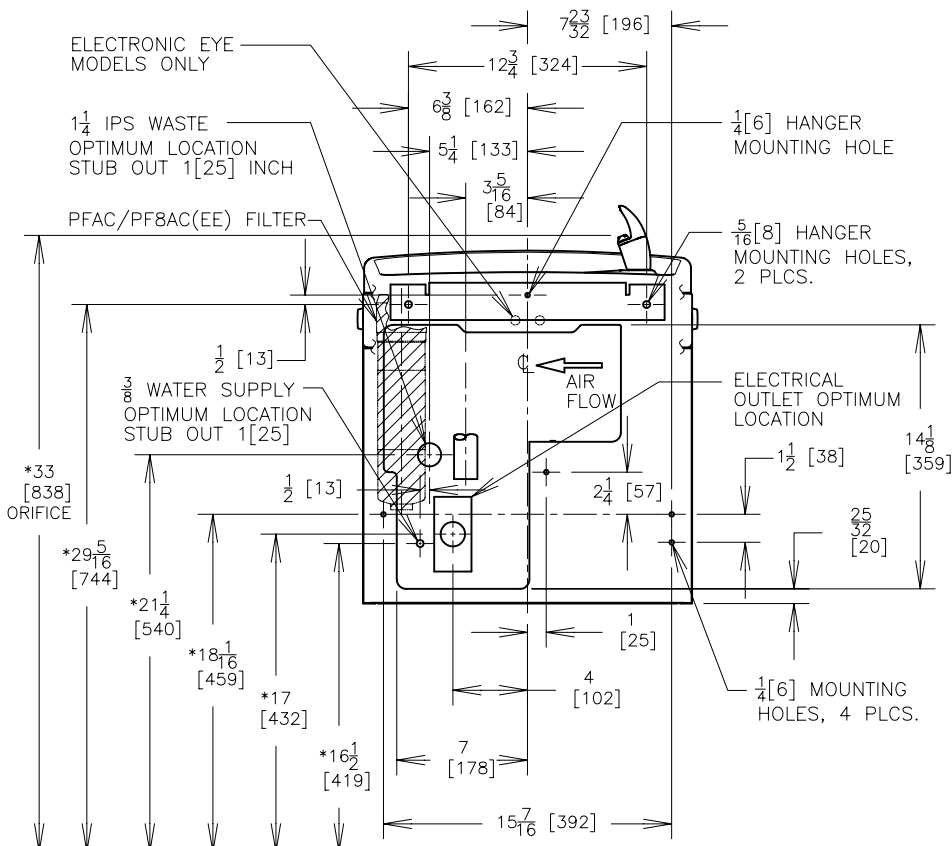
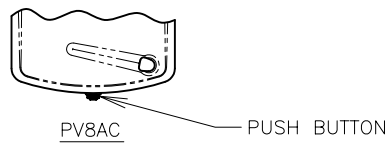
*Industry Standard Rating Condition 80° F inlet water temperature.
Specifications subject to change without notice

OASIS® BARRIER-FREE Versacooler® II MODELS P8AC, PAC, P8ACEE, PF8AC, PFAC, PF8ACEE, PV8AC



NOTES:

1. TRAP, STOP VALVE AND ELECTRICAL OUTLET NOT FURNISHED.
2. ALLOW 4 INCHES [102 MM] MIN. PER SIDE FOR VENTILATION.
- *3. RECOMMENDED ADULT BARRIER FREE HEIGHT INSTALLATION SHOWN. REDUCE HEIGHT BY 3 INCHES FOR INSTALLATIONS USED PRIMARILY BY CHILDREN AGES 12 AND YOUNGER. UNIT SHALL ALSO HAVE A MINIMUM CLEAR FLOOR SPACE 30[760] BY 48[1220]. ADJUST VERTICAL DIMENSIONS AS REQ'D TO COMPLY WITH FEDERAL, STATE, AND LOCAL CODES.
4. ALL DIMENSIONS ARE IN INCHES. DIMENSIONS IN BRACKETS [] ARE IN MILLIMETERS.



ROUGHING-IN AND DIMENSIONAL DRAWING